

- Ordering information:  
 GD-DCT-01460  
 (1):Series No.  
 (2):Schematic option:B  
 (3):Center pin diameter: $\Delta$   
 G= $\phi$ 1.65, H= $\phi$ 2.0, J= $\phi$ 2.5  
 (4):Material of housing:  
 10=PA10T(Standard)  
 (5):Housing color:  
 Zero 0A=Black 3C=Orange(157C)  
 (6):Terminal plating:  
 T=Tin(Sn) S=Silver(Ag) G=Gold(Au)  
 (7):Special option:

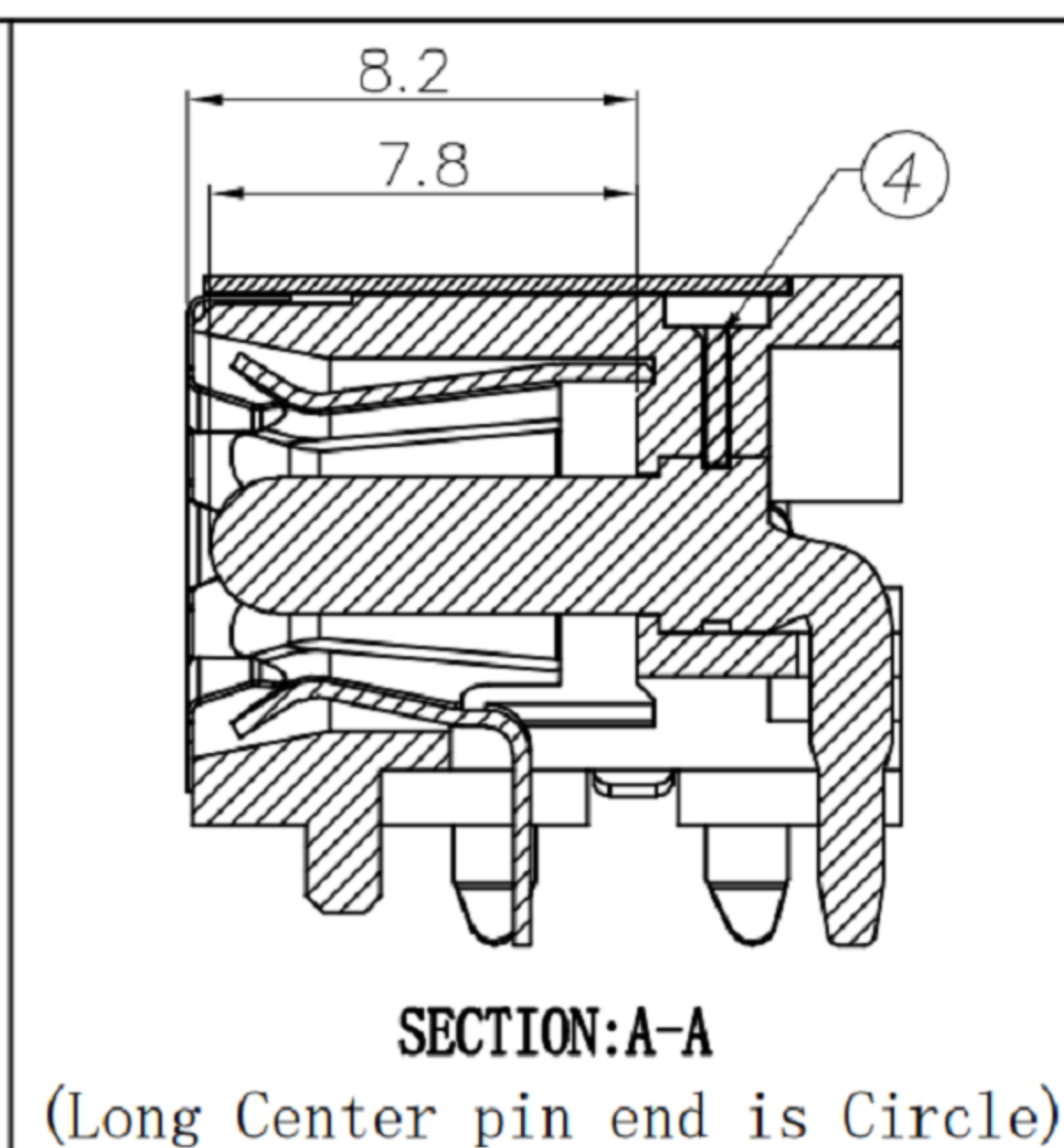
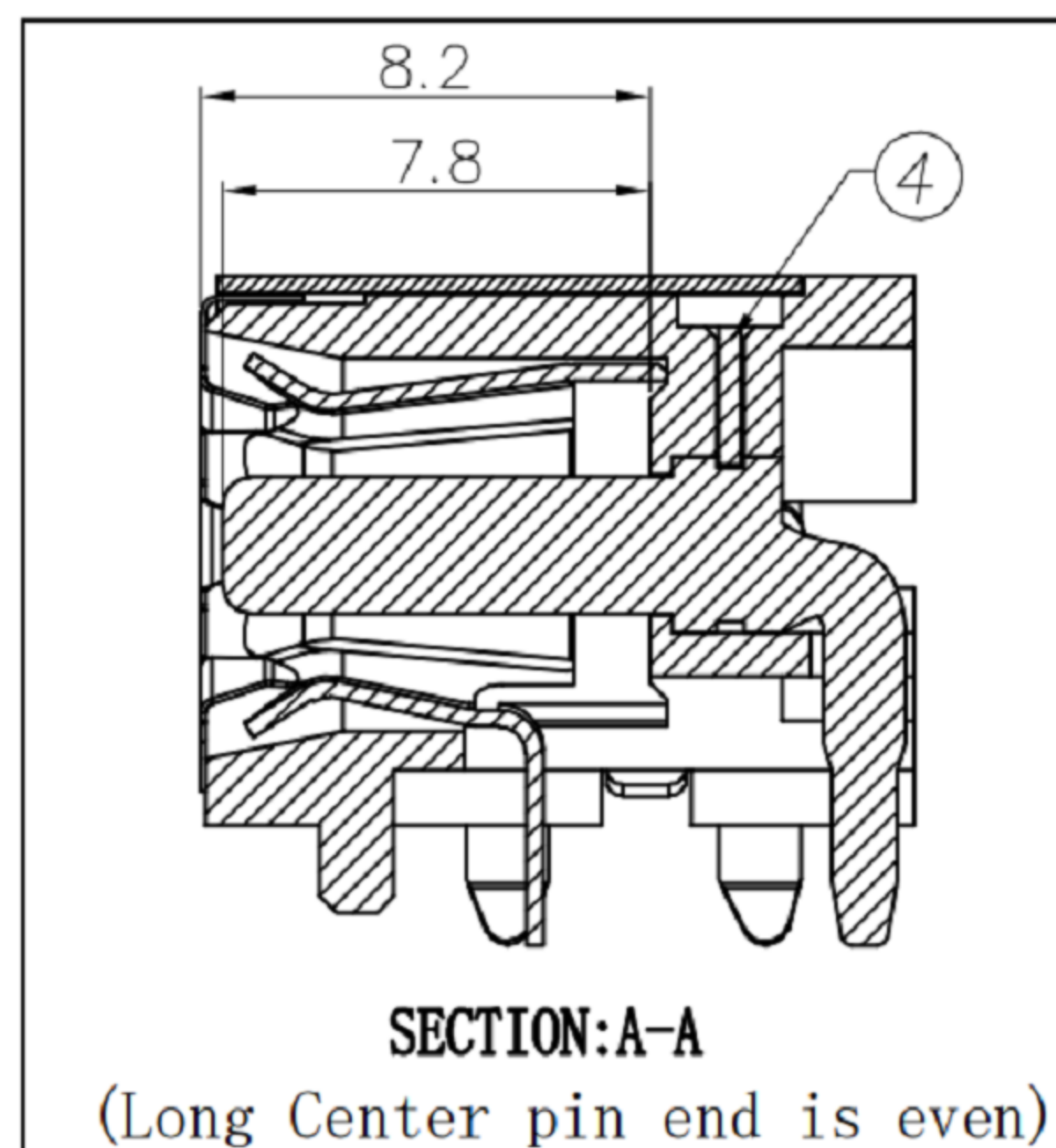
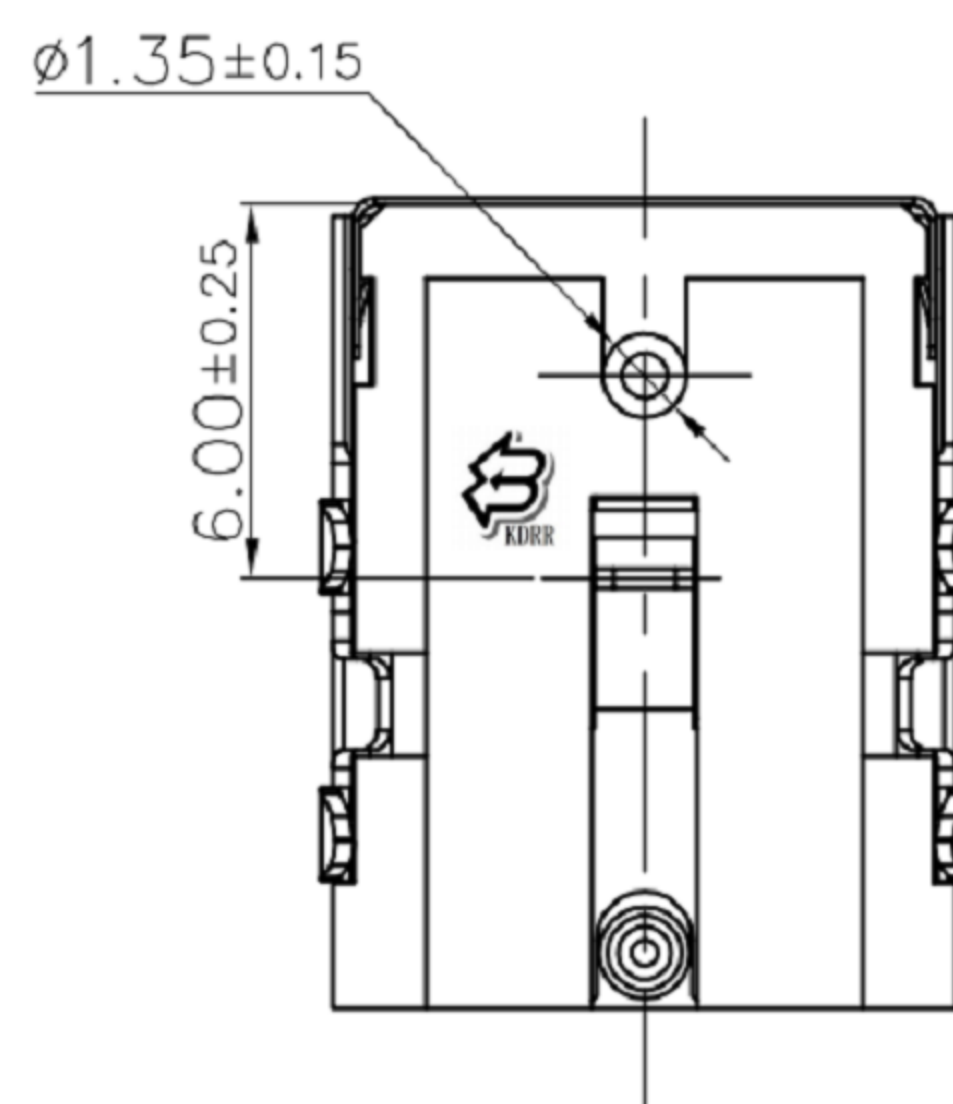
DESCRIPTION	Code	Specification	Plating
Center pin	I	Long Center pin end is even	Ni plating
	A		Au plating
	O	Long Center pin end is Circle	Ni plating
	G		Au plating
Center pin and Ground Terminal	T		Sn plating $\Delta$

- (8):Packing mode:  
 1=Reel packing  
 3=Plastic box packing  
 4=Bag packing

(3D参考视图)

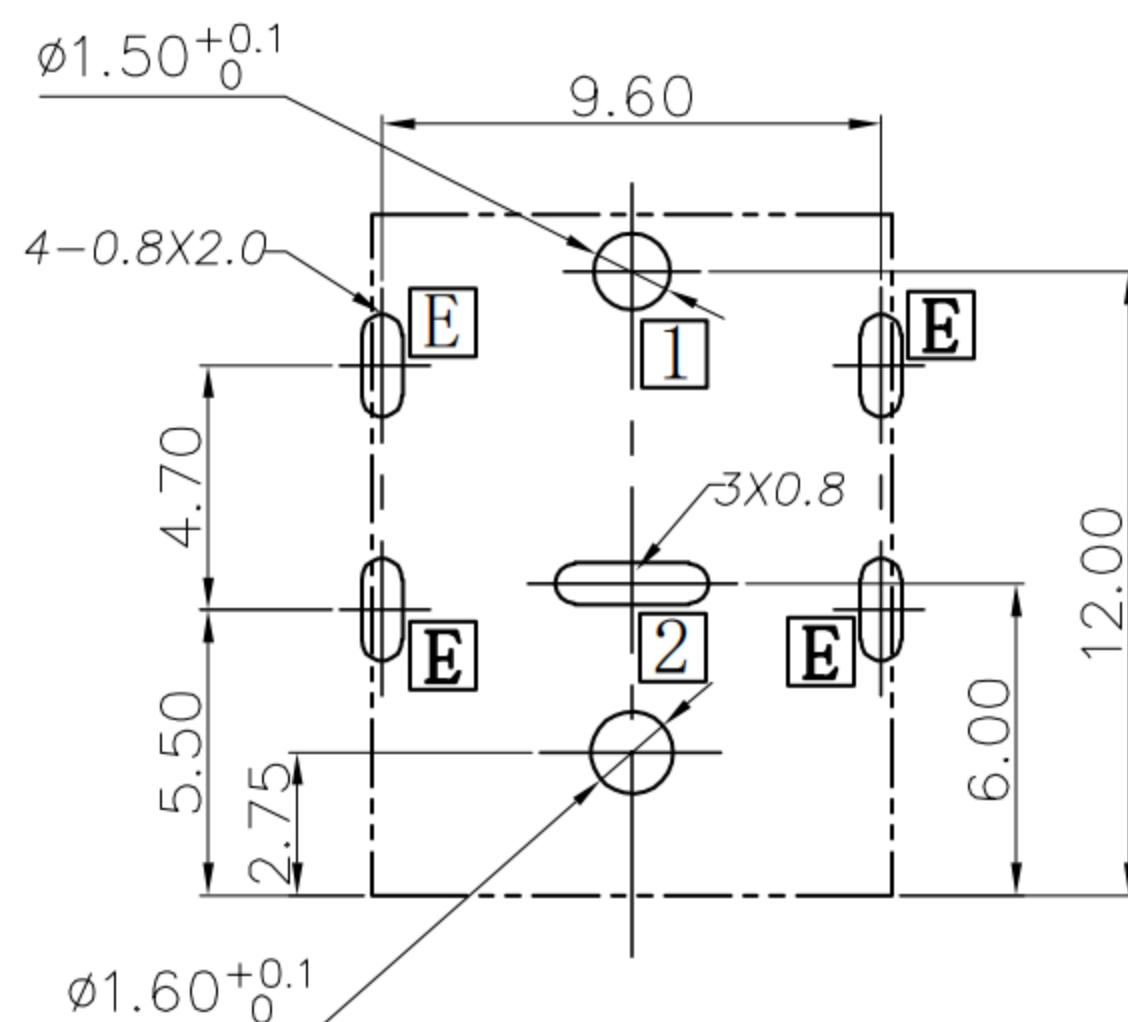
Specification:

- Rating : DC 20V 5A; 10 A;
- Contact resistance:  $\leq 30m\Omega$  ;  
After test:  $\leq 50m\Omega$
- Insulation resistance:  $\geq 100M\Omega$  (500VDC);  
After test:  $\geq 50M\Omega$
- Withstand voltage: 500VAC ;
- Insertion and extraction force: 3N~30N;
- life test: 5000cycles MIN.;
- Operation temperature range:-20°C~70°C
- Preservative temperature range:-40°C~85°C

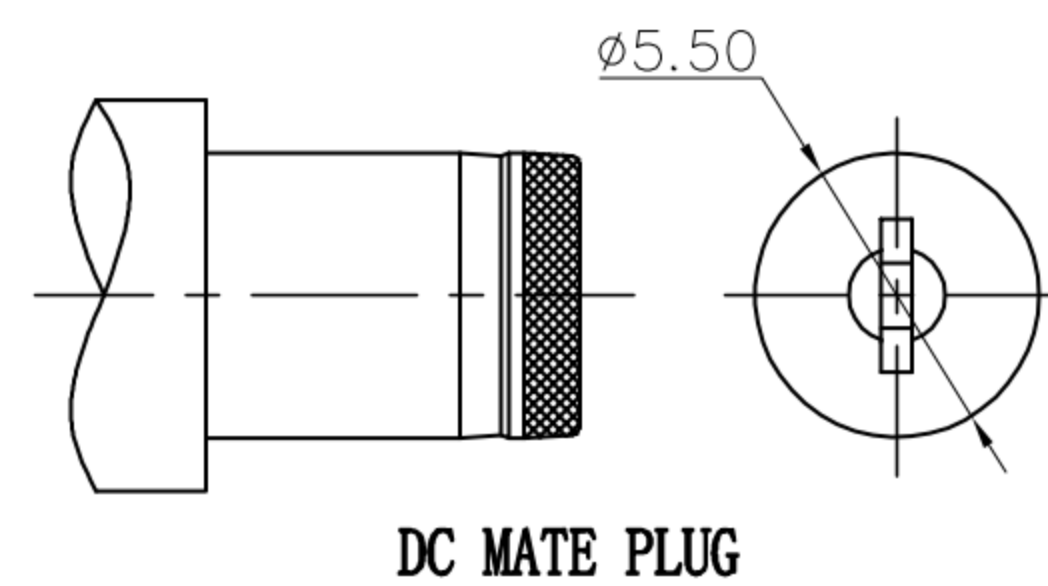


Model No.	GD-DCT-01460
Schematic	
CIRCUIT DIAGRAM	

□ : TERMINAL NO.



P.C.B LAYOUT  
TOP VIEW



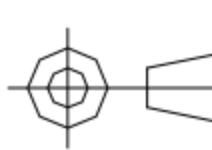
NO.	DESCRIPTION	Q' TY	MATERIAL	REMARK
⑥	Ground Terminal	E 1	Copper Alloy	Tin/Ni plating $\Delta$
⑤	Shield plate	1	Stainless steel	
④	Terminal	1	Copper Alloy	
③	Tip spring	2 1	Copper Alloy	See "Ordering info"
②	Center pin	1 1	Zn Alloy	See "Ordering info"
①	Housing	1	High temp. Thermoplastic	Halogen Free, Black



东莞市高迪电子有限公司  
Dong Guan KDRR Electronic Switch Jack Co., Ltd.

TOLERANCE UNLESS OTHERWISE STATED:  
 Up to 5 ±0.2  
 Above 5 ~ 15 ±0.3  
 Above 15 ~ 30 ±0.4  
 Above 30 ~ 50 ±0.5  
 Angle ±0.3°

3RD. ANGEL'S



UNITS MM

DRAWN BY: Ming Ming Zou 6/8/23  
 CHECKED BY: Ning Ning Su 6/8/23  
 APPROVED BY: Jia Xiang 6/8/23

MAT'L	TITLE	JACK
FINISH	MODLE	DC JACK
SCALE 1:1	DWG NO.	GD-DCT-01460
SHEET NO. 1 of 1	PART NO.	

ITEM NO.	DESCRIPTION	DRAWN	DATE
4	更新材質	Jack	050420
3	更新尺寸	Jack	121119
2	更新尺寸標示位置	Jack	082719
1	更新尺寸	Jack	080519

SIZE A4  
VER R4